



## Type VPR/3/EP flow control pressure compensated valves

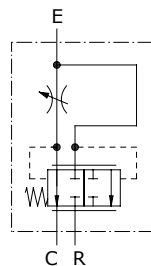
- 3 ways
- Exceeding flow to pressure

Technical specifications and diagrams are measured with mineral oil of 46 cSt viscosity at 40°C (104°F) temperature.

		VPR/3/EP 38	VPR/3/EP 12	VPR/3/EP 34	VPR/3/EP 100	VPR/3/EP 114
Max. inlet flow	Line E	50 l/min (13.2 US gpm)	90 l/min (23.8 US gpm)	150 l/min (39.6 US gpm)	240 l/min (63.4 US gpm)	450 l/min (119 US gpm)
Max. regulated flow	Line C	30 l/min (7.9 US gpm)	50 l/min (13.2 US gpm)	90 l/min (23.8 US gpm)	150 l/min (39.6 US gpm)	250 l/min (66.0 US gpm)
Max. regulated flow	"SB"	15 l/min (4.0 US gpm)	25 l/min (6.6 US gpm)	45 l/min (11.9 US gpm)	75 l/min (19.8 US gpm)	125 l/min (33.0 US gpm)
Max. pressure		Aluminium body = 210 bar (3050 psi) Steel body = 350 bar (5100 psi)				
Fluid		mineral based oil				
Viscosity		from 10 to 200 cSt				
Max. level of contamination		18/16/13 ISO4406				
Fluid temperature		with NBR seals from -20°C (-4°F) to 80°C (176°F)				
Environmental temp. for working conditions		from -40°C (-40°F) to 100°C (212°F)				
Weight	aluminium	1.26 kg (2.78 lb)	1.22 kg (2.69 lb)	2.49 kg (5.49 lb)	4.90 kg (10.80 lb)	5.19 kg (11.44 lb)
	steel	2.76 kg (6.08 lb)	2.79 kg (6.15 lb)	4.85 kg (10.69 lb)	9.73 kg (21.45 lb)	16.20 kg (35.71 lb)

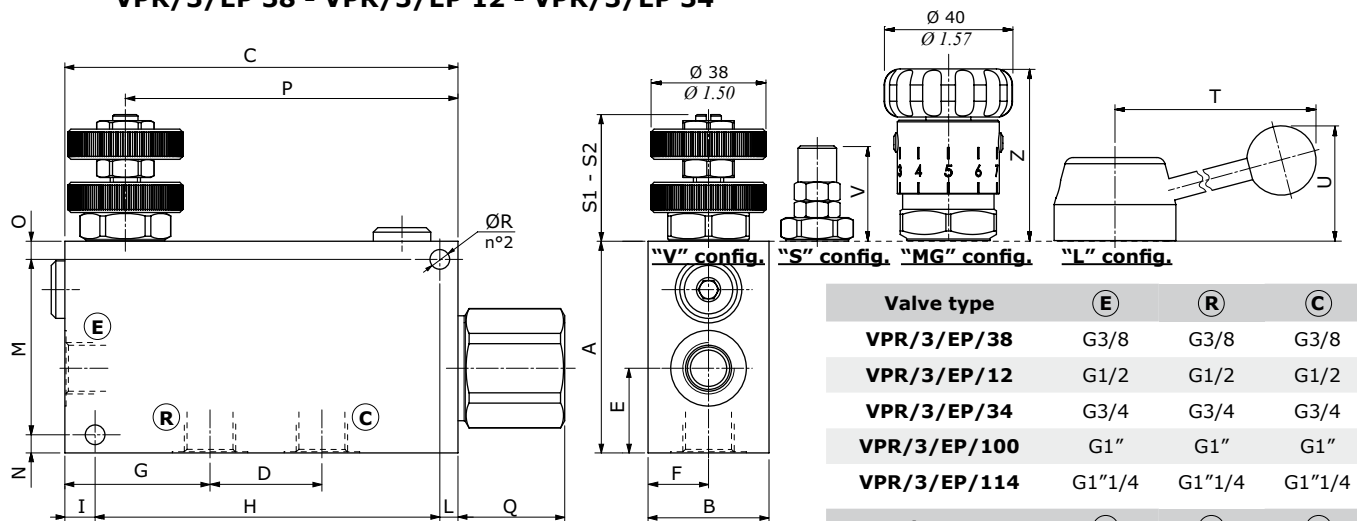
NOTE - For different conditions, please contact Walvoil Sales Dpt.

\*"SB" execution (sensibilized adjustment)



### Dimensions

#### VPR/3/EP 38 - VPR/3/EP 12 - VPR/3/EP 34

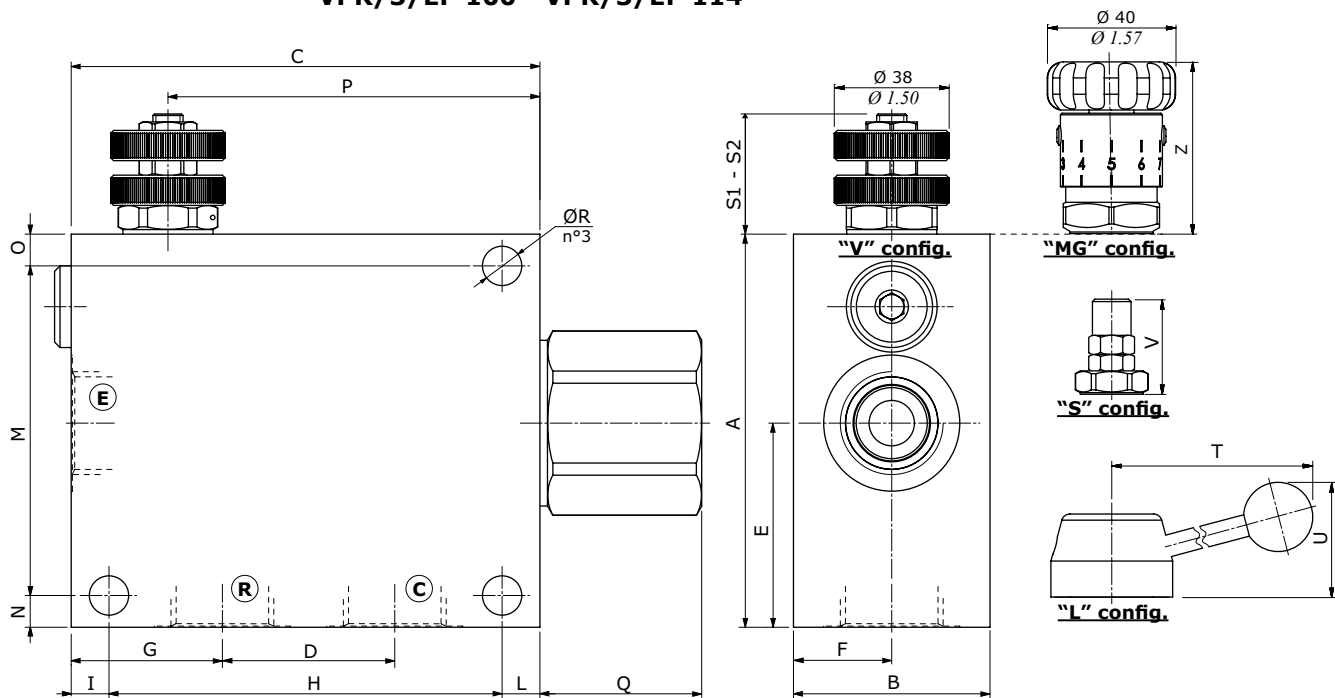


Valve type	E	R	C
VPR/3/EP/38	G3/8	G3/8	G3/8
VPR/3/EP/12	G1/2	G1/2	G1/2
VPR/3/EP/34	G3/4	G3/4	G3/4
VPR/3/EP/100	G1"	G1"	G1"
VPR/3/EP/114	G1"1/4	G1"1/4	G1"1/4

Valve type	E	R	C
VPR/3/EP/38/SAE	SAE8	SAE8	SAE8
VPR/3/EP/12/SAE	SAE10	SAE10	SAE10
VPR/3/EP/34/SAE	SAE12	SAE12	SAE12
VPR/3/EP/100/SAE	SAE16	SAE16	SAE16
VPR/3/EP/114/SAE	SAE20	SAE20	SAE20

#### VPR/3/EP 100 - VPR/3/EP 114



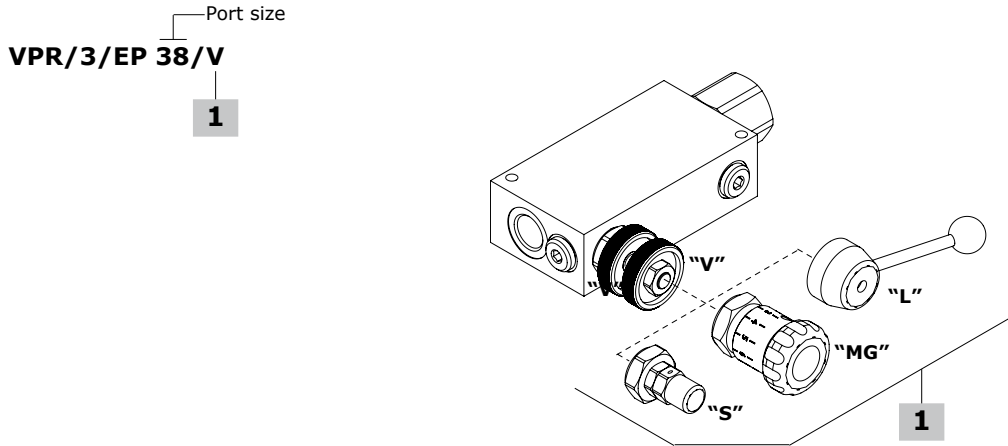
Valve type	A	B	C	D	E	F	G	H	I	L	M	N	O	P	Q	ØR	S1	S2	T	U	V	Z
VPR/3/EP/38	70	40	130	37	28	20	48	114	10	6	58	6	6	110	35	6.5	46.3	52.6	101.3	47.6	38.5	53.3
VPR/3/EP/38/SAE	2.76	1.57	5.12	1.46	1.10	0.79	1.89	4.49	0.394	0.236	2.28	0.236	0.236	4.33	1.38	0.256	1.82	2.07	3.99	1.87	1.52	2.10
VPR/3/EP/12	70	40	130	37	28	20	48	114	10	6	58	6	6	110	35	6.5	46.3	52.6	101.3	47.6	38.5	53.3
VPR/3/EP/12/SAE	2.76	1.57	5.12	1.46	1.10	0.79	1.89	4.49	0.394	0.236	2.28	0.236	0.236	4.33	1.38	0.256	1.82	2.07	3.99	1.87	1.52	2.10
VPR/3/EP/34	90	50	155	44	35	25	57	135	10	10	74	8	8	130	36.5	8.5	41.5	50.5	103.6	50.1	38.5	49.5
VPR/3/EP/34/SAE	3.54	1.97	6.10	1.73	1.38	0.98	2.24	5.31	0.394	0.394	2.91	0.315	0.315	5.12	1.44	0.335	1.63	1.99	4.08	1.97	1.52	1.95
VPR/3/EP/100	130	70	155	57	67.5	35	50	130	12.5	12.5	109	10.5	10.5	123	53.5	13	41.5	50.5	103.6	50.1	38.5	49.5
VPR/3/EP/100/SAE	5.12	2.76	6.10	2.24	2.66	1.38	1.97	5.12	0.49	0.49	4.29	0.413	0.413	4.84	2.11	0.51	1.63	1.99	4.08	1.97	1.52	1.95
VPR/3/EP/114	130	70	155	57	67.5	35	50	130	12.5	12.5	109	10.5	10.5	123	53.5	13	46.3	52.6	107.3	50.5	41.5	52.5
VPR/3/EP/114/SAE	5.12	2.76	6.10	2.24	2.66	1.38	1.97	5.12	0.49	0.49	4.29	0.413	0.413	4.84	2.11	0.51	1.82	2.07	4.22	1.99	1.63	2.07

## Flow control valves

Flow control pressure compensated valves

VPR/3/EP

### Ordering codes and description composition



#### VPR/3/EP complete valves

TYPE	CODE	DESCRIPTION
<b>Adjustment kit type "V" (handwheel)</b>		
VPR/3/EP 38/V	1630021100	Aluminium body, 3/8 ports
VPR/3/EP 12/V	1630031100	Aluminium body, 1/2 ports
VPR/3/EP 34/V	1630041100	Aluminium body, 3/4 ports
VPR/3/EP 100/V	1630051100	Aluminium body, 1" ports
VPR/3/EP 114/V	1630061100	Aluminium body, 1 1/4 ports
VPR/3/EP 38/V/ac	1630022100	Steel body, 3/8 ports
VPR/3/EP 12/V/ac	1630032100	Steel body, 1/2 ports
VPR/3/EP 34/V/ac	1630042100	Steel body, 3/4 ports
VPR/3/EP 100/V/ac	1630052100	Steel body, 1" ports
VPR/3/EP 114/V/ac	1630062100	Steel body, 1 1/4 ports
VPR/3/EP 38/V/SAE	1630021200	Aluminium body, SAE8 ports
VPR/3/EP 12/V/SAE	1630031200	Aluminium body, SAE10 ports
VPR/3/EP 34/V/SAE	1630041200	Aluminium body, SAE12 ports
VPR/3/EP 100/V/SAE	1630051200	Aluminium body, SAE16 ports
VPR/3/EP 114/V/SAE	1630061200	Aluminium body, SAE20 ports
VPR/3/EP 34/V/SAE/ac	1630042200	Steel body, SAE12 ports
VPR/3/EP 100/V/SAE/ac	1630052200	Steel body, SAE16 ports
<b>Adjustment kit type "MG" (handknob)</b>		
VPR/3/EP 38/MG	1630021101	Aluminium body, 3/8 ports
VPR/3/EP 12/MG	1630031101	Aluminium body, 1/2 ports
VPR/3/EP 34/MG	1630041101	Aluminium body, 3/4 ports
VPR/3/EP 100/MG	1630051101	Aluminium body, 1" ports
VPR/3/EP 114/MG	1630061101	Aluminium body, 1 1/4 ports
<b>Adjustment kit type "L" (lever)</b>		
VPR/3/EP 38/L	1630021102	Aluminium body, 3/8 ports
VPR/3/EP 12/L	1630031102	Aluminium body, 1/2 ports
VPR/3/EP 34/L	1630041102	Aluminium body, 3/4 ports
VPR/3/EP 100/L	1630051102	Aluminium body, 1" ports
VPR/3/EP 114/L	1630061102	Aluminium body, 1 1/4 ports

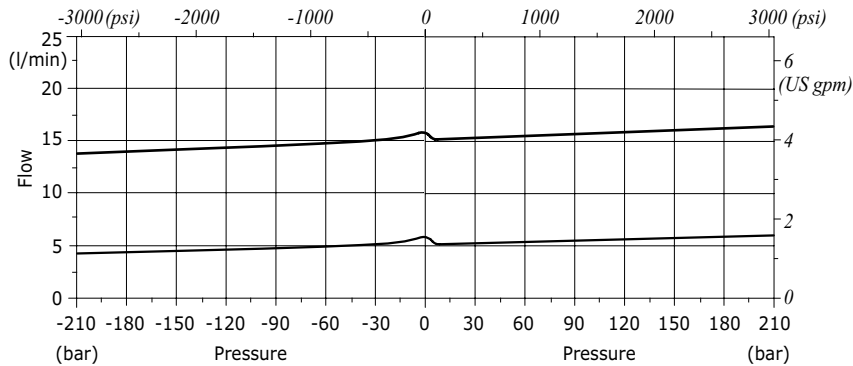
For other steel body configurations, SAE thread and configurations with FPM (Viton) seals, please contact our Sales Dpt.

#### 1 Adjustment kit

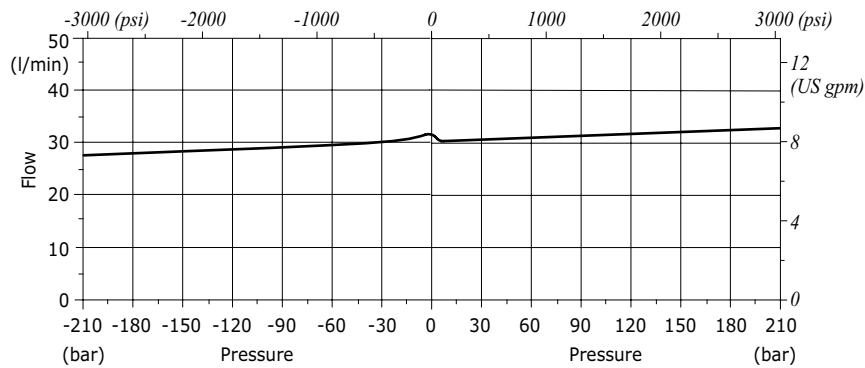
TYPE	CODE	DESCRIPTION
<b>For VPR/3/EP 38 valve</b>		
V.SB	5KT6200200	"V" handwheel type in "SB" configuration (sensibilized adjustment)
V	5KT6130200	"V" handwheel type
MG	5KT6200202	"MG" handknob type
S	5KT6200211	"S" screw type
<b>For VPR/3/EP 12 valve</b>		
V.SB	5KT6130301	"V" handwheel type in "SB" configuration (sensibilized adjustment)
V	5KT6130200	"V" handwheel type
MG	5KT6200202	"MG" handknob type
S	5KT6200211	"S" screw type
<b>For VPR/3/EP 34-100 valves</b>		
V	5KT6130401	"V" handwheel type
MG	5KT6200400	"MG" handknob type
S	5KT6130404	"S" screw type
V.SB	5KT6130402	"V" handwheel type in "SB" configuration (sensibilized adjustment)
<b>For VPR/3/EP 114 valves</b>		
V	5KT6340603	"V" handwheel type
MG	5KT6200605	"MG" handknob type
S	5KT6200604	"S" screw type

### Rating diagrams

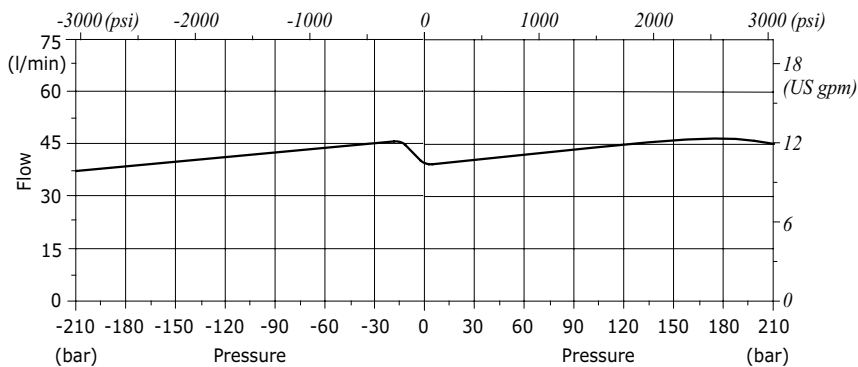
**VPR/3/EP 38 compensation diagram in C  
changing the  $\Delta p$  between E and R**



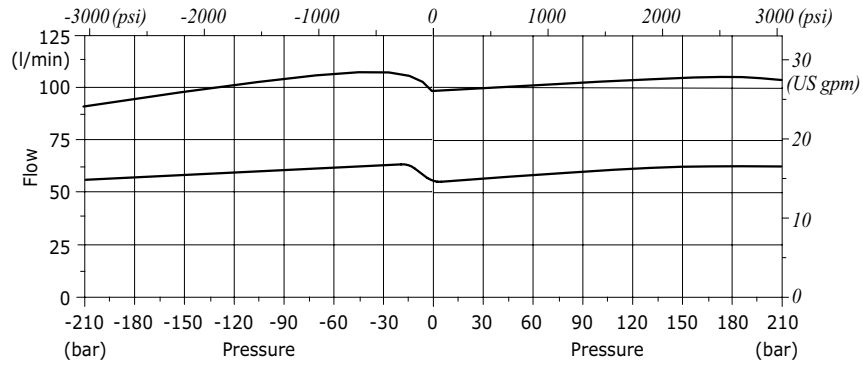
**VPR/3/EP 12 compensation diagram in C  
changing the  $\Delta p$  between E and R**



**VPR/3/EP 34 compensation diagram in C  
changing the  $\Delta p$  between E and R**



**VPR/3/EP 100 compensation diagram in C changing the  $\Delta p$  between E and R**



**VPR/3/EP 114 compensation diagram in C changing the  $\Delta p$  between E and R**

