



## Type VPR/2/RL flow control pressure compensated valves

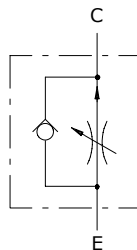
- 2 way
- With reverse free - flow check

Technical specifications and diagrams are measured with mineral oil of 46 cSt viscosity at 40°C (104°F) temperature.

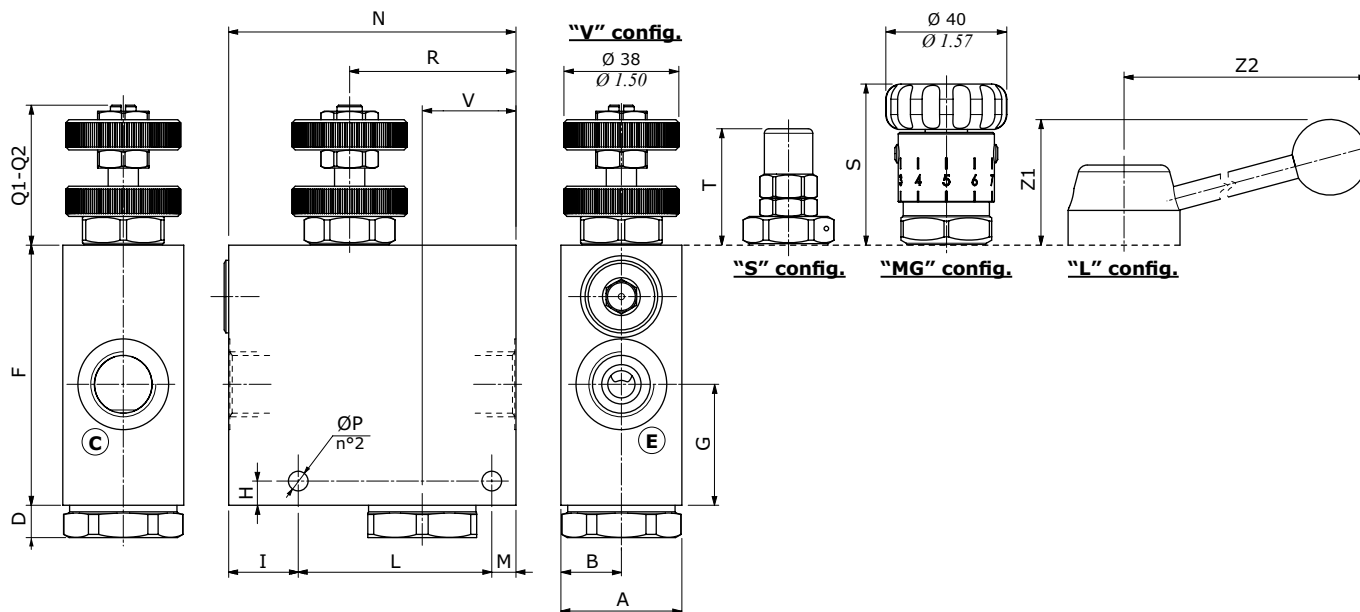
	VPR/2/RL 38	VPR/2/RL 12	VPR/2/RL 34	VPR/2/RL 100	
Nominal flow "Qc"	30 l/min (7.9 US gpm)	50 l/min (13.2 US gpm)	90 l/min (23.8 US gpm)	150 l/min (39.6 US gpm)	
Nominal flow "SB"*	15 l/min (4.0 US gpm)	25 l/min (6.6 US gpm)	45 l/min (11.9 US gpm)	75 l/min (19.8 US gpm)	
Max. pressure	Aluminium body = 210 bar (3050 psi) Steel body = 350 bar (5100 psi)				
Fluid	mineral based oil				
Viscosity	from 10 to 200 cSt				
Max. level of contamination	18/16/13 ISO4406				
Fluid temperature	with NBR seals from -20°C (-4°F) to 80°C (176°F)				
Environmental temperature for working conditions	from -40°C (-40°F) to 100°C (212°F)				
Weight	aluminium	1.09 kg (2.40 lb)	1.06 kg (2.34 lb)	2.15 kg (4.73 lb)	5.14 kg (11.33 lb)
	steel	2.41 kg (5.31 lb)	2.43 kg (5.36 lb)	4.60 kg (10.14 lb)	11.13 kg (24.54 lb)

NOTE - For different conditions, please contact Walvoil Sales Dpt.

\*"SB" execution (sensibilized adjustment)



### Dimensions



Valve type	All ports	Valve type	All ports
VPR/2/RL 38	G3/8	VPR/2/RL 38/SAE	SAE8
VPR/2/RL 12	G1/2	VPR/2/RL 12/SAE	SAE10
VPR/2/RL 34	G3/4	VPR/2/RL 34/SAE	SAE12
VPR/2/RL 100	G1"		

Dimensions are in mm-in

Valve type	A	B	D	F	G	H	I	L	M	N	ØP	Q1	Q2*	R	S	T	V	Z1	Z2
VPR/2/RL 38	40	20	11	86	40	8	23	64	8	95	6.5	46.3	52.6	55	53.3	38.5	23	47.6	101.3
VPR/2/RL 38/SAE	1.57	0.78	0.43	3.38	1.57	0.31	0.90	2.51	0.31	3.74	0.25	1.82	2.07	2.16	2.10	1.51	0.91	1.87	3.99
VPR/2/RL 12	40	20	11	86	40	8	23	64	8	95	6.5	46.3	53.1	55	53.3	38.5	23	47.6	101.3
VPR/2/RL 12/SAE	1.57	0.78	0.43	3.38	1.57	0.31	0.90	2.51	0.31	3.74	0.25	1.82	2.09	2.16	2.10	1.51	0.91	1.87	3.99
VPR/2/RL 34	50	25	10.5	100	47	10	38	84	8	130	8.5	41.5	50.5	72	49.50	38.5	30	50.1	103.6
VPR/2/RL 34/SAE	1.97	0.98	0.41	3.94	1.85	0.39	1.50	3.31	0.31	5.12	0.33	1.73	1.99	2.83	1.95	1.51	1.18	1.97	4.08
VPR/2/RL 100	70	35	13.5	140	58	10	50	100	10	160	10.5	52	-	91	52.5	41.5	37	50.5	107.3
	2.75	0.53	0.53	5.51	2.28	0.39	1.97	3.94	0.39	1.50	0.41	2.05		3.58	2.06	1.63	1.46	1.99	4.22

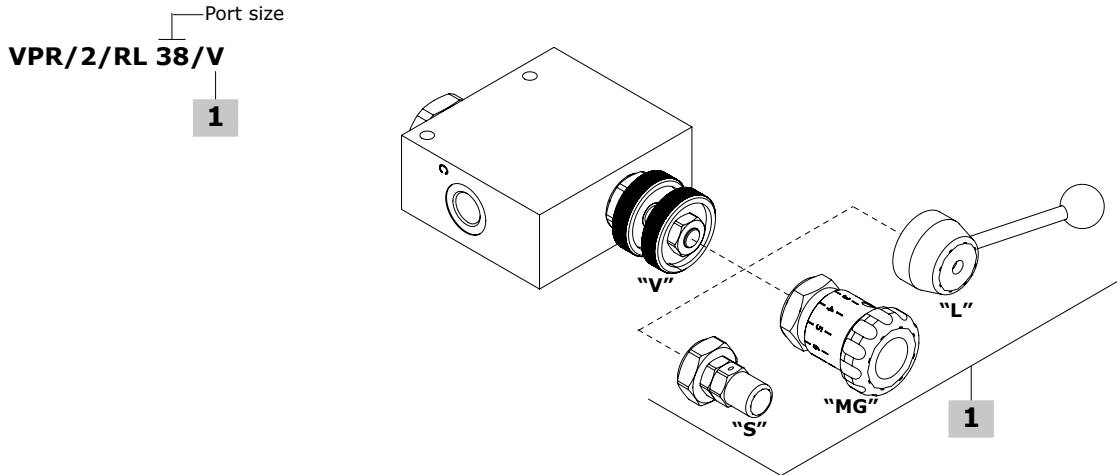
(\*) For "SB" execution (sensibilized adjustment)

## Flow control valves

Flow control pressure compensated valves

# VPR/2/RL

### Ordering codes and description composition



#### VPR/2/RL complete valves

TYPE	CODE	DESCRIPTION
<b>Adjustment kit type "V" (handwheel)</b>		
VPR/2/RL 38/V	1611021100	Aluminium body, G3/8 ports
VPR/2/RL 12/V	1611031100	Aluminium body, G1/2 ports
VPR/2/RL 34/V	1611041100	Aluminium body, G3/4 ports
VPR/2/RL 100/V	1611051100	Aluminium body, G1" ports
VPR/2/RL 38/V/ac	1611022100	Steel body, G3/8 ports
VPR/2/RL 12/V/ac	1611032100	Steel body, G1/2 ports
VPR/2/RL 34/V/ac	1611042100	Steel body, G3/4 ports
VPR/2/RL 100/V/ac	1611052100	Steel body, G1" ports
VPR/2/RL 38/V/SAE	1611021200	Aluminium body, SAE8 ports
VPR/2/RL 12/V/SAE	1611031200	Aluminium body, SAE10 ports
VPR/2/RL 34/V/SAE	1611041200	Aluminium body, SAE12 ports
<b>Adjustment kit type "MG" (handknob)</b>		
VPR/2/RL 38/MG	1611021101	Aluminium body G3/8 ports
VPR/2/RL 12/MG	1611031101	Aluminium body G1/2 ports
VPR/2/RL 34/MG	1611041101	Aluminium body G3/4 ports
VPR/2/RL 100/MG	1611051101	Aluminium body G1" ports
<b>Adjustment kit type "L" (lever)</b>		
VPR/2/RL 38/L	1611021102	Aluminium body G3/8 ports
VPR/2/RL 12/L	1611031102	Aluminium body G1/2 ports
VPR/2/RL 34/L	1611041102	Aluminium body G3/4 ports
VPR/2/RL 100/L	1611051102	Aluminium body G1" ports

For other steel body configurations, SAE thread and configurations with FPM (Viton) seals, please contact our Sales Dpt.

#### 1 Adjustment kit

TYPE	CODE	DESCRIPTION
<b>For VPR/2/RL 38 valve</b>		
V.SB	5KT6200200	"V" handwheel type in "SB" configuration (sensibilized adjustment)
V	5KT6130200	"V" handwheel type
MG	5KT6200202	"MG" handknob type
S	5KT6200211	"S" screw type
<b>For VPR/2/RL 12 valve</b>		
V.SB	5KT6130301	"V" handwheel type in "SB" configuration (sensibilized adjustment)
V	5KT6130200	"V" handwheel type
MG	5KT6200202	"MG" handknob type
S	5KT6200211	"S" screw type
<b>For VPR/2/RL 34 valve</b>		
V	5KT6130401	"V" handwheel type
MG	5KT6200400	"MG" handknob type
S	5KT6130404	"S" screw type
V.SB	5KT6130402	"V" handwheel type in "SB" configuration (sensibilized adjustment)
<b>For VPR/2/RL 100 valve</b>		
V	5KT6340603	"V" handwheel type
MG	5KT6200605	"MG" handknob type
S	5KT6200604	"S" screw type

### Rating diagrams

