



EA08 type directional solenoid valve - 2 way / 2 positions

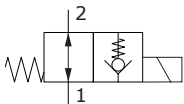
- Direct acting
- Poppet type
- Normally open and closed configurations

Technical specifications and diagrams are measured with mineral oil of 46 cSt viscosity at 40°C (104°F) temperature.

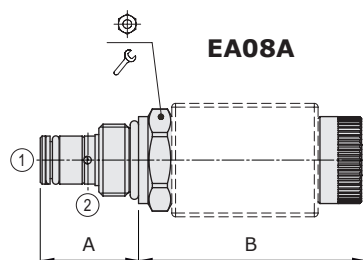
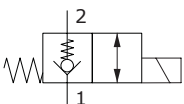
	EA08A	EA08B
Nominal flow	1 l/min (0.26 US gpm)	1 l/min (0.26 US gpm)
Max. pressure	210 bar (3050 psi)	350 bar (5100 psi)
Oil leakage	at 210 bar (3050 psi) 0.25 cm ³ /min (0.015 in ³ /min)	
Fluid	mineral based oil	
Viscosity	10-200 cSt	
Max level of contamination	18/16/13 ISO4406	
Fluid temperature	with NBR seals with FPM seals	from -20°C (-4°F) to 80°C (176°F) from -20°C (-4°F) to 100°C (212°F)
Environmental temp. for working conditions	from -20°C (-4°F) to 50°C (122°F)	
Cavity	SAE 8/2	
Coil type*	BE	BT
Nominal voltages	12 VDC - 24 VDC ± 10%	12 VDC - 24 VDC ± 10%
Power rating	18.7 W (12 VDC) 18.6 W (24 VDC)	21 W (12-24 VDC)
Weight	0.130 kg (0.28 lb)	0.130 kg (0.28 lb)

NOTE - For different conditions, please contact Walvoil Sales Dpt. - *For coils further features see from page 206.

Normally open configuration



Normally closed configuration

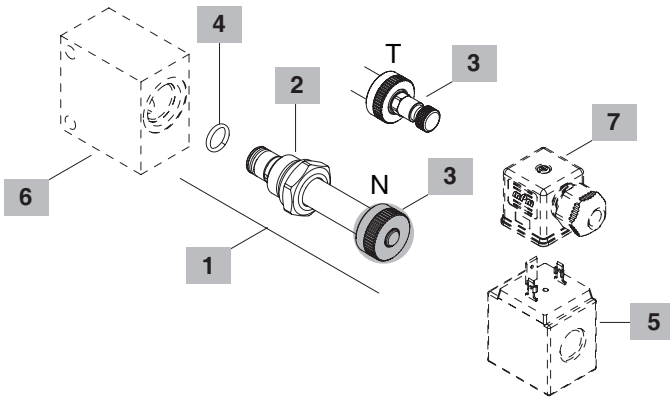
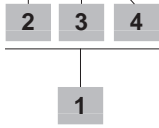


Valve type	A		B			Nm	lbft	
	mm	in	mm	in				
EA08A/	10NB	27.5	1.08	60	2.36	24	30	22
	20NB	27.5	1.08	59	2.32	24	30	22
EA08B/	10NB	27.5	1.08	70.9	2.79	24	30	22
	20NB	27.5	1.08	65.5	2.58	24	30	22

For dimensions with different type of emergency see page 213

Ordering codes and description composition

EA08A/10 NB



1 Cartridges

TYPE	CODE	DESCRIPTION
SAE cavity 08/2		
EA08A/10NB	0EA08002001	Normally open configuration (N.O.) without emergency
EA08B/10NB	0EA08002003	(N.O.) without emergency
EA08A/10TB	0EA08002007	(N.O.) screw type emergency
EA08B/10TB	0EA08002005	(N.O.) screw type emergency
EA08A/20NB	0EA08002000	Normally closed configuration (N.C.) without emergency
EA08B/20NB	0EA08002002	(N.C.) without emergency
EA08A/20TB	0EA08002009	(N.C.) screw type emergency
EA08B/20TB	0EA08002004	(N.C.) screw type emergency

2 Spool

TYPE	DESCRIPTION
1	Normally open configuration
2	Normally closed configuration

3 Emergency

TYPE	DESCRIPTION
N	Without emergency
T	Screw type

Note: for configurations with different emergency contact Sales Dept.

4 Seals

TYPE	DESCRIPTION
B	NBR (Buna) o-ring seals, std configuration
V	FPM (Viton) o-ring seals, contact Sales Dept.

5 Coils

TYPE	CODE	DESCRIPTION
BE 12VDC	4SL1000120	12VDC-ISO4400 coil for EA08A
BT 12VDC	4SL3000120	12VDC-ISO4400 coil for EA08B

For complete coils list see page 206

6 Valve body

TYPE	CODE	DESCRIPTION
SAE 08/2-G 1/4	3CC0820B11	Aluminium body for cavity 08 valve, G1/4 std thread

Note: aluminium body can stand up to 210 bar (3050 psi)
For steel bodies or different threading see from page 215

7 Connector

TYPE	CODE	DESCRIPTION
ISO4400	4CN1009995	Connector

For complete connectors list see page 206

Rating diagrams

